

Presence detector - Professional Line

# DualTech

COM1 - Concealed wiring

EAN 4007841 007997

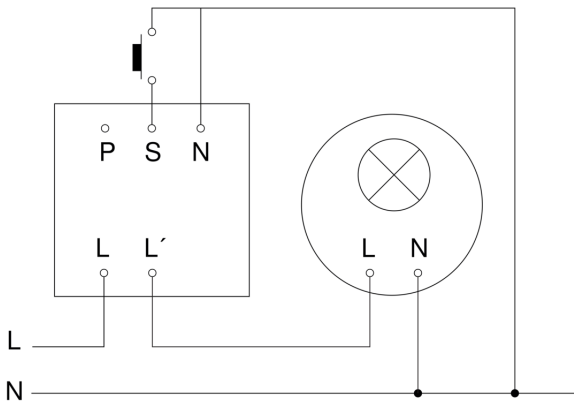
Article number 007997



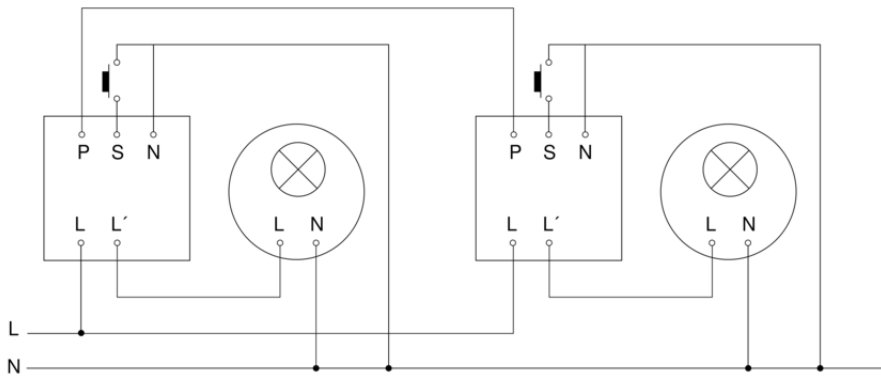
# DualTech

COM1 - Concealed wiring  
EAN 4007841 007997  
Article number 007997

## Master circuit diagram



## Master/master interconnection circuit diagram



# DualTech

COM1 - Concealed wiring  
EAN 4007841 007997  
Article number 007997

## Master/slave interconnection circuit diagram

